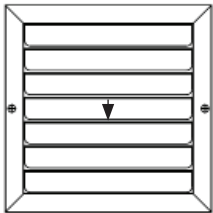
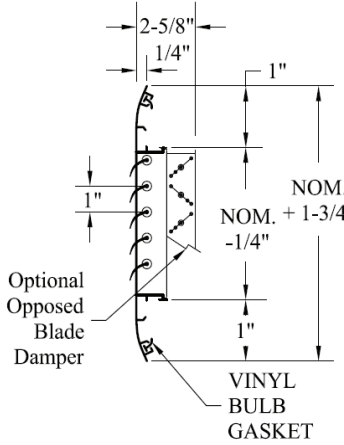
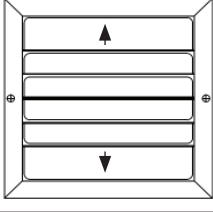
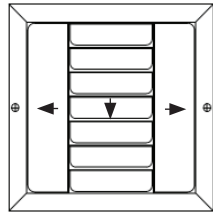
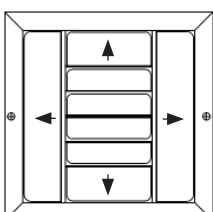


Dimensions are in inches

<p>1-way</p> 		<p>CB-1 1-way Curved blade ceiling diffuser.</p> <p>CB-1-OB 1-way Curved blade ceiling diffuser with opposed blade damper.</p> <p>CB-2 2-way Curved blade ceiling diffuser.</p> <p>CB-2-OB 2-way Curved blade ceiling diffuser with opposed blade damper.</p> <p>CB-3 3-way Curved blade ceiling diffuser.</p> <p>CB-3-OB 3-way Curved blade ceiling diffuser with opposed blade damper.</p> <p>CB-4 4-way Curved blade ceiling diffuser.</p> <p>CB-4-OB 4-way Curved blade ceiling diffuser with opposed blade damper.</p>
<p>2-way</p> 		<p>OPTIONS:</p> <p>1. Finish</p> <ul style="list-style-type: none"> <input type="checkbox"/> White <input type="checkbox"/> ANOD Clear Anodized <input type="checkbox"/> Medium Bronze <input type="checkbox"/> Black <input type="checkbox"/> Custom _____ <p>2. Options</p> <ul style="list-style-type: none"> <input type="checkbox"/> 2-way Corner Blow <input type="checkbox"/> OBFL (Fire link) <input type="checkbox"/> PF (Plaster Frame) <input type="checkbox"/> PLT <p>3. Frame style</p> <ul style="list-style-type: none"> <input type="checkbox"/> Beveled Frame Available <input type="checkbox"/> ME (square contour) Frame
<p>3-way</p> 		<p>1. Finish</p> <ul style="list-style-type: none"> <input type="checkbox"/> White <input type="checkbox"/> ANOD Clear Anodized <input type="checkbox"/> Medium Bronze <input type="checkbox"/> Black <input type="checkbox"/> Custom _____ <p>2. Options</p> <ul style="list-style-type: none"> <input type="checkbox"/> 2-way Corner Blow <input type="checkbox"/> OBFL (Fire link) <input type="checkbox"/> PF (Plaster Frame) <input type="checkbox"/> PLT <p>3. Frame style</p> <ul style="list-style-type: none"> <input type="checkbox"/> Beveled Frame Available <input type="checkbox"/> ME (square contour) Frame
<p>4-way</p> 		<p>1. Finish</p> <ul style="list-style-type: none"> <input type="checkbox"/> White <input type="checkbox"/> ANOD Clear Anodized <input type="checkbox"/> Medium Bronze <input type="checkbox"/> Black <input type="checkbox"/> Custom _____ <p>2. Options</p> <ul style="list-style-type: none"> <input type="checkbox"/> 2-way Corner Blow <input type="checkbox"/> OBFL (Fire link) <input type="checkbox"/> PF (Plaster Frame) <input type="checkbox"/> PLT <p>3. Frame style</p> <ul style="list-style-type: none"> <input type="checkbox"/> Beveled Frame Available <input type="checkbox"/> ME (square contour) Frame
<p>DESCRIPTION:</p> <ol style="list-style-type: none"> 1. Frames and blades are 6063 extruded aluminum alloy with 200-R1 satin anodized finish. The frame has a typical wall thickness of .050" and is separated from the blades with injection-molded nylon bushings. This method of assembly eliminates corrosion and vibration. The frame mounting holes are dimpled, allowing for a counter-sunk fastener head appearance. 2. The blades are curved in design, individually adjustable and spaced 1" on center. At the other edge of the frame is a specially engineered channel which retains an extruded flexible vinyl bulb gasket that produces a positive air seal at the mounting surface, minimizing smudging. 3. Square and rectangular patterns are available. Suitable for ceiling applications. 4. Available in clear anodized, white or a variety of custom colors. 		<p>1. Finish</p> <ul style="list-style-type: none"> <input type="checkbox"/> White <input type="checkbox"/> ANOD Clear Anodized <input type="checkbox"/> Medium Bronze <input type="checkbox"/> Black <input type="checkbox"/> Custom _____ <p>2. Options</p> <ul style="list-style-type: none"> <input type="checkbox"/> 2-way Corner Blow <input type="checkbox"/> OBFL (Fire link) <input type="checkbox"/> PF (Plaster Frame) <input type="checkbox"/> PLT <p>3. Frame style</p> <ul style="list-style-type: none"> <input type="checkbox"/> Beveled Frame Available <input type="checkbox"/> ME (square contour) Frame

PROJECT:

ENGINEER:

CONTRACTOR:

DATE	SERIES	DRAWING NO.